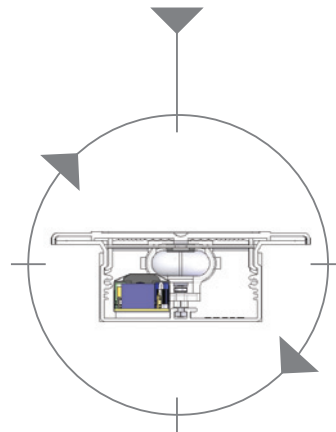


■ **FLUSHLINE SERIES (CXLED)**

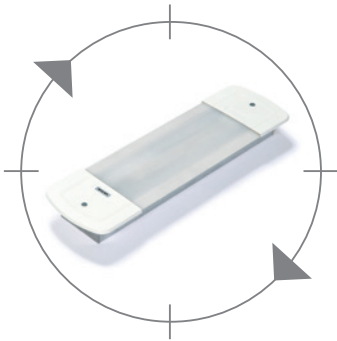
- LED ambulance light
- Interference free circuit
- Light output to latest industry standards
- Dimmable to 50% brightness
- LED trauma light

Internal View

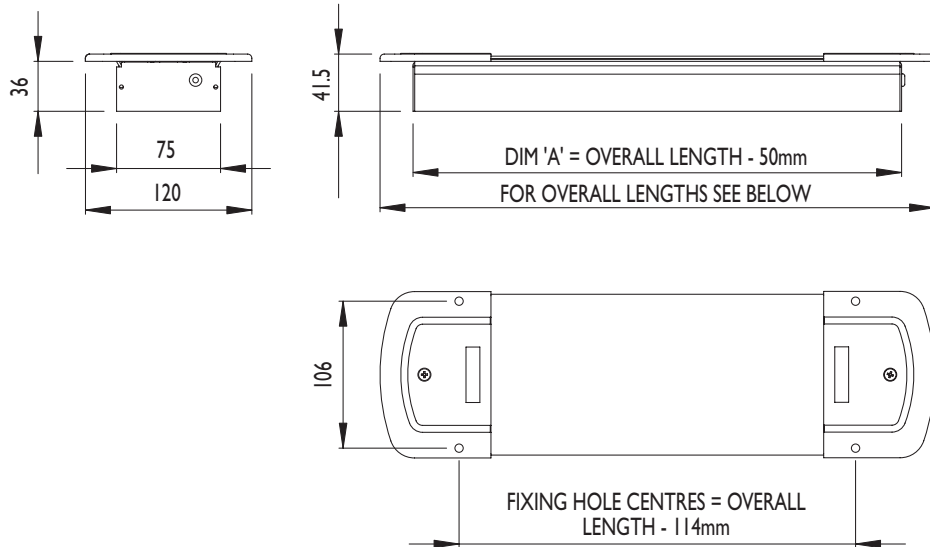


|| See technical specifications overleaf >>>

## FLUSHLINE SERIES (CXLED)



The CX LED light unit has been designed as the LED solution for Ambulances in the UK and Europe. Based on the popular recessed fluorescent design the LED unit can be easily retro fitted without changing roof design or wiring. The CX LED uses the latest low power, high intensity LP6 LEDs from Labcraft. Situated behind an opaque lens, the LEDs provide more than enough light to comply with the latest light level requirements, whilst offering a non intrusive light for patients. The light can be dimmed to 50% brightness (each LED dims rather than half of the LEDs turning off) and comes with a blue LED trauma light strip that can be independently switched. The circuit has been designed to ensure no interference is generated that could interfere with sensitive onboard systems.



OVERALL LENGTHS: CXLED36-0.5D = 1085MM CXLED6-3 = 400MM

### SPECIFICATION

ALL DIMENSIONS HAVE A TOLERANCE OF +/- 1mm

FLUSHLINE  
SERIES (CXLED)

Model No		CXLED36-0.5D	CXLED6-3*
Voltage Range	Vdc	10 to 15	10 to 32
Average Current	A	1.98A	12V = 1.5A 24V = 0.75A
LEDs		18W + 3.3W for Trauma Lights	6 x 2.5W = 15W
Total Lumen Output	Lm	972	>1050
Weight	Kg	1.73	0.68
Temp. Range	°C	-20 to +40	-20 to +40

\* CXLED6-3W6-1R

Red & White option available

E & OE