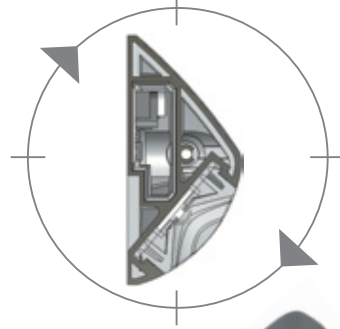


## LED SCENELITE (SI6)

- High output CREE LEDs
- Over 1000 lumens output
- Low energy (only 18W)
- Unique light projections
- Waterproof to IP67

Internal View

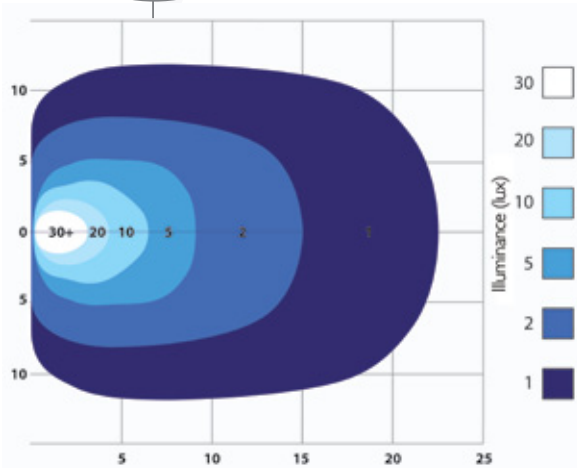
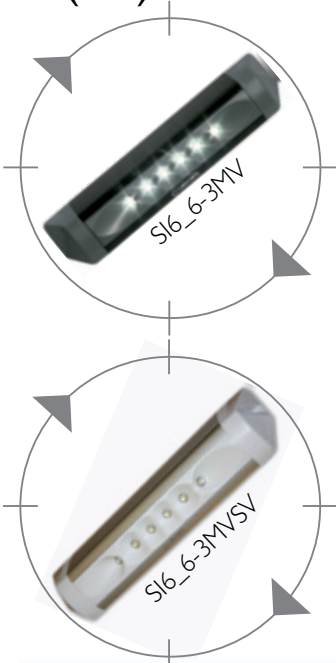


|| See technical specs overleaf >>>

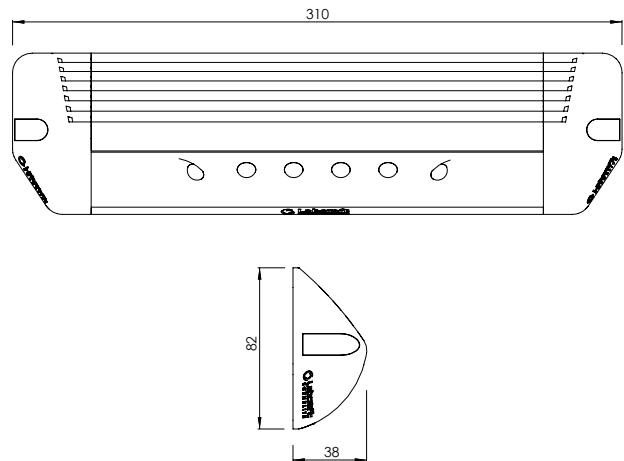
REV 0



## LED SCENELITE (SI6)



- High output CREE LEDs - CREE LED technology produces a clean white light and creates a safe working environment.
- Over 1000 lumens output - Using the very best LED technology from CREE, the LED Scenelite produces 1050 lumens, providing up to an average of 40 lux across six square metres (in-house testing results).
- Low energy (only 18W) - Most tungsten scene lights use 40 - 50W of power to produce 500 - 700 lumens.
- Unique light projections - The Scenelite produces superior illumination due to a unique design. All six LEDs are first angled at 40 degrees towards the ground, the outer two are then tilted by 30 degrees to each side, improving light distribution.
- Waterproof to IP67 - The tough outer enclosure and potting over more sensitive components provides sufficient protection against water ingress.



### Specification

ALL DIMENSIONS HAVE A TOLERANCE OF +/- 1mm

		SI6_6-2 MV	SI6_6-3 MV
LED SCENELITE (SI6)	Voltage Range	VDC	10 to 32
	Average Current	A	12V = 0.65A 24V = 0.35A
	Light Output	lm	>600
	LED Power	W	6 x 1.75W = 10W
	Weight	kg	0.45
	Temp. Range	°C	-20 to +40

REV 0

E & OE