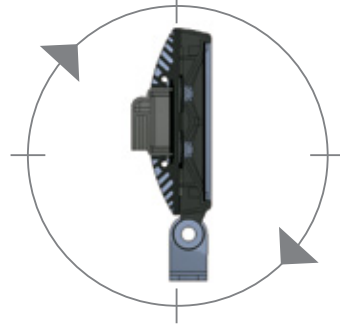


■ LED WORKLITE (SI4)

- High output CREE LEDs
- Safe working environment (20 lux)
- 70% less energy than halogen
- Magnetic mounted version available
- Waterproof to IP67

Internal View



|| See technical specs overleaf >>>

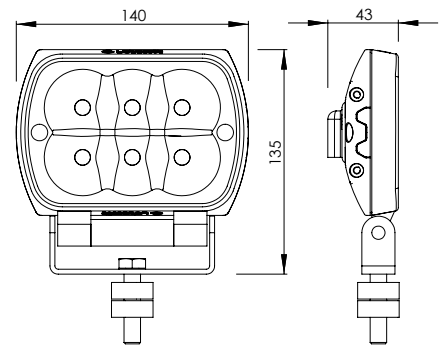
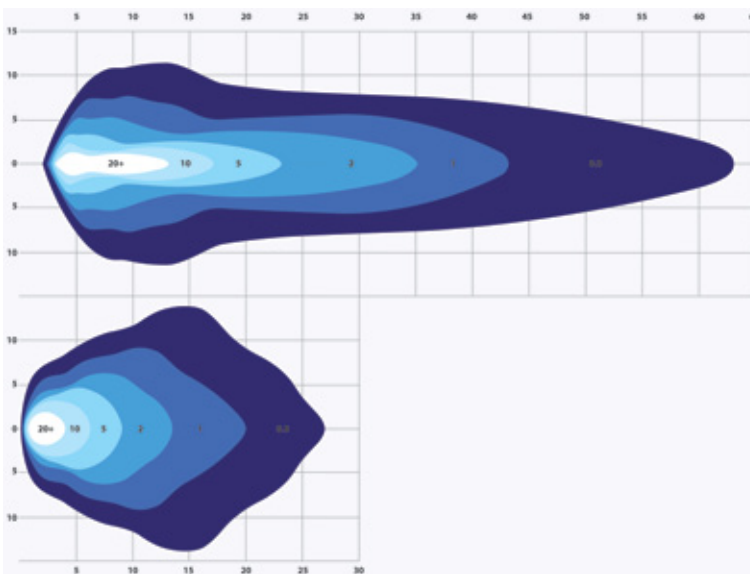
REV 0



LED WORKLITE (SI4)



- High output CREE LEDs - CREE LED technology produces a clean white light which creates a safe working environment.
- Safe working environment (20 lux) - Possibly the only LED work light to provide 20 lux of pure white light, resulting in less fatigue and fewer accidents.
- 70% less energy than halogen work lights - 780 lumens at only 13W, giving you more light for longer.
- Magnetic mounted version available - The Magnetic Worklite comes with a polyurethane coated magnet, which protects your paintwork, and a retractable cable, which plugs into your vehicle's cigarette lighter.
- Waterproof to IP67 - The tough outer enclosure provides sufficient protection against water ingress.



Specification

ALL DIMENSIONS HAVE A TOLERANCE OF +/- 1mm

LED WORKLITE (SI4)

			SI4_6-3MV30	SI4_6-3MV90
Beam Angle	°		30 (trapezoid)	90 (flood)
Voltage Range	VDC		10 to 32	10 to 32
Average Current	A		12V = 1.1 24V = 0.55	12V = 1.1 24V = 0.55
Light Output	lm		780	780
LED Power	W		6 x 1.75 = 10.5	6 x 1.75 = 10.5
Weight	kg		0.5	0.5
Temp. Range	°C		-30 to +40	-30 to +40

REV 0

E & OE