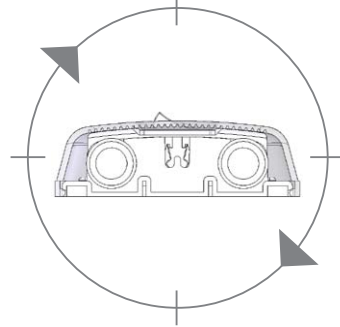


■ LINEAR SERIES (DX)

- Very low profile (24mm)
- Single or twin 8W tubes
- Low energy (only 0.45A @ 12V)
- Integrated switch
- Tough polycarbonate lens

Internal View



|| See technical specs overleaf >>>

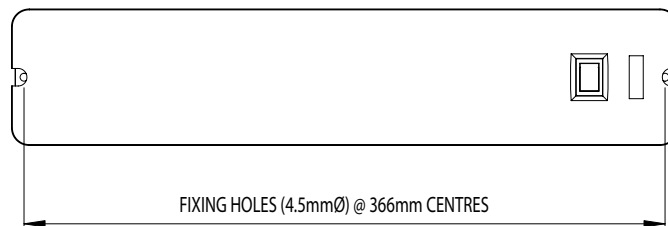
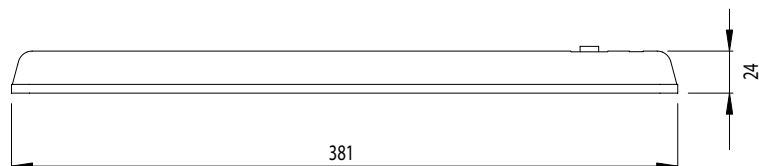
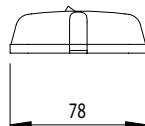
REV A



LINEAR SERIES (DX)



- Very low profile (24mm) - The Linear series is perfect for installation where headroom is minimal. At just 24mm deep it provides an energy efficient lighting solution whilst taking up a minimum amount of room.
- Tough polycarbonate lens - The lens is injection moulded from tough polycarbonate, providing great protection for the tubes inside the light. Recessed areas are included in the lens at both ends so the light can be installed without needing to remove it.
- Low energy (only 0.45A @ 12V) - By using such a low amount of energy, the Linear Series ensures you can illuminate your area for longer.
- Single or twin 8W tubes - Two different light levels are available by using one or two 8W tubes.
- Integrated switch - For ease of use, the Linear series comes with an integrated switch in the diffuser.



Specification

ALL DIMENSIONS HAVE A TOLERANCE OF +/- 1mm

LINEAR SERIES (DX)

		DX8	DX16	DX16/3
Supply Voltage	VDC	12	12	48
Voltage Range	VDC	10-15	10-15	40-60
Average Current	A	0.45	0.67	0.22
Light Output	lm	350	600	600
Tube Watts	W	8	16	16
Weight	kg	0.28	0.31	0.34
Temp. Range	°C	-10 to +40	-10 to +40	-10 to +40

REV A

E & OE