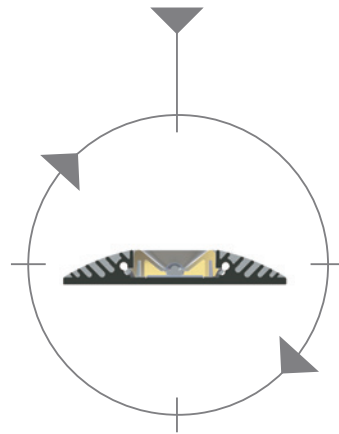


■ **MICROLUX (SI3_2-1)**

- Safe, bright LED TrueWhite™
- Low energy consumption
- Multi-Voltage (10V – 32V)
- Ultra slim profile
- IP67 rating

Internal View

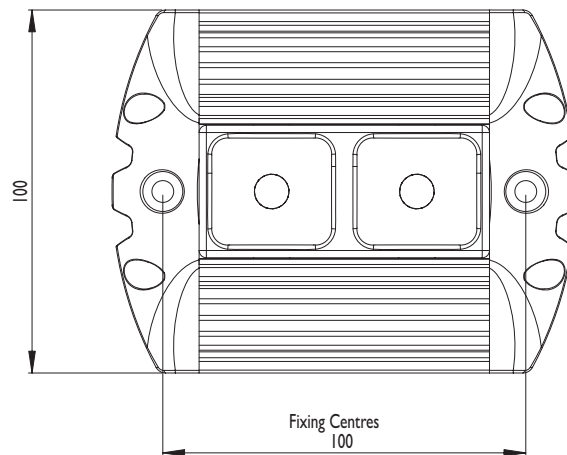
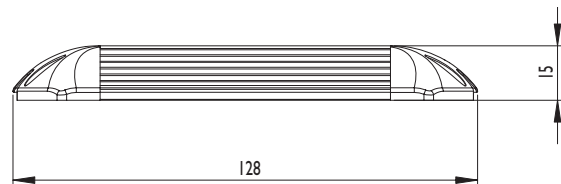


|| See technical specifications overleaf >>>

MICROLUX (SI3_2-1)



- **LED TrueWhite™ technology** produces a clean white light, resembling natural daylight and creating a safe working environment.
- **70% less energy than tungsten and more than 50 times longer life** means you save maintenance costs and vehicle downtime.
- **Low profile design (15mm)** and contoured shape designed for surface mounting without causing any obstruction. Installation is quick and easy.
- **IP67 rated** allowing for pressure washing and challenging environments such as refrigerated vehicles.
- The Microlux excels in a van environment due to both performance and price, but is also effective in larger vehicles depending on the light performance requirements.



SPECIFICATION

ALL DIMENSIONS HAVE A TOLERANCE OF +/- 1mm

MICROLUX (SI3_2-1)

Model No		SI3_2-1	SI3_2-3
Voltage Range	Vdc	10 to 32	10 to 32
Average Current	A	12V = 0.22A 24V = 0.12A	12V = 0.45A 24V = 0.24A
Total Lumen Output	Lm	200	340
LEDs	W	2 x 1.25W	2 x 2.5W
Weight	Kg	0.165	0.165
Temp. Range	°C	-30 to +40	-30 to +40

*LED life is directly related to the running temperature within the LED. This product has been designed using the LED manufacturer's data to achieve 50,000 hours assuming an ambient temperature of 25°C. At this point light output may have decreased by 20%

E & OE