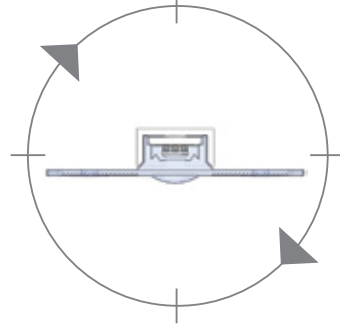


■ OMEGA (MX3)

- Long life CREE Power LEDs
- Excellent light distribution
- Up to 60% power saving
- Unique 'Omega' design
- Quick and easy to install

Internal View

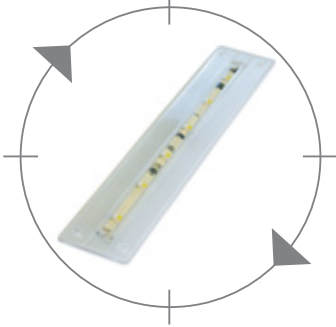


|| See technical specs overleaf >>>

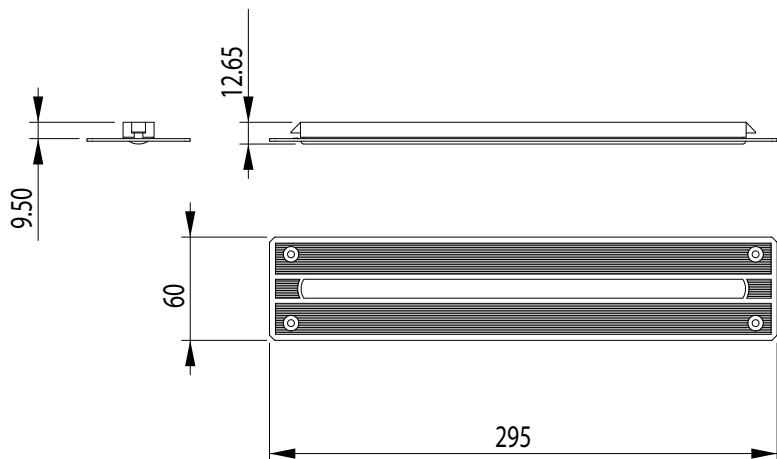
REV 0



OMEGA (MX3)



- Long life CREE Power LEDs - The Omega houses 6 x 0.5W high power CREE LEDs which will last a minimum of 50 000 hours, reducing vehicle downtime and the need for costly bulb replacements.
- Excellent light distribution - The lens in the Omega has been designed to spread the LED light over a wide area to ensure that light gets into the darkest corners.
- Up to 60% power saving - By using the latest in high efficiency LED technology, the Omega offers a reduction in power consumption of up to 60% compared against standard bulb lighting.
- Unique 'Omega' design - The Omega range has been designed to work primarily with the 'Omega' style roof strut, which is common amongst dry freight commercial vehicles.
- Quick and easy to install - The light has been designed with 4 fixing points so it can be easily recessed into the roof strut or to one side, depending on the orientation of the strut.



Specification

ALL DIMENSIONS HAVE A TOLERANCE OF +/- 1mm

OMEGA (MX3)

		MX3	MX3/2
Supply Voltage	VDC	12	24
Voltage Range	VDC	10-15	20-32
Average Current	A	0.33	0.16
Light Output	lm	280	280
LED Power	W	6 x 0.5	6 x 0.5
Weight	kg	0.09	0.09
Temp. Range	°C	-30 to +40	-30 to +40

REV 0

Calculations based on average LED values @ 13.28V (for 12V models) and @ 28V (for 24V)

E & OE