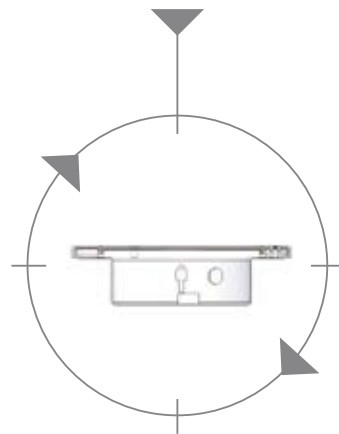


■ **ALEXA (A120)**

- Standard fit
- Waterproof to IP66
- Available in 12v and 24v
- 20w halogen bulb – 300 lumens

Internal View



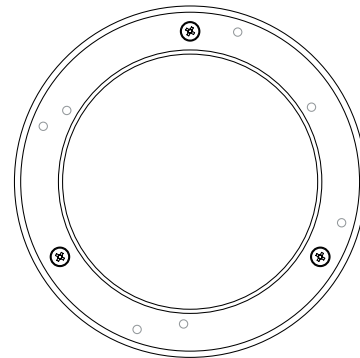
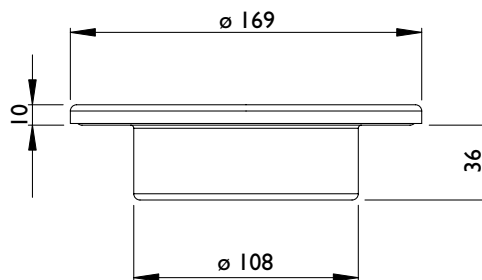
|| See technical specifications overleaf >>>

*Alexa*

## ALEXA (A120)



The ALEXA A120 has been introduced to offer a standard fit halogen version to Labcraft's popular circular recessed light unit. It is branded under the Alexa name as it does not offer the high Lux and low power benefits synonymous with the Labcraft brand. It uses a G4 halogen bulb which will last approximately twice the life of a standard tungsten bulb at temperatures as low as -30°C. The housing is manufactured from epoxy powder coated galvanised steel and can be permanently fixed into the vehicle bodywork. A rubber profile provides an IP66 seal between the housing and tough polycarbonate lens and once silicon sealed from the back it provides a completely IP66 rated unit. This light is ideal for applications where light output is not of paramount importance but cost and maintenance are. The A120 utilises the same housing as the HLC, HLCF and HLCLED so can easily be upgraded to one of the Labcraft branded Frigospot lights which will give you the benefits of more light, less energy and longer life.



FIXING HOLES 4x HOLES ON 151mm DIAMETER  
3x HOLES ON 137mm DIAMETER

### SPECIFICATION

ALL DIMENSIONS HAVE A TOLERANCE OF +/- 1mm

ALEXA  
(A120)

Model No		A120	A120/2
Supply Voltage	Vdc	12	24
Voltage Range	Vdc	10 to 15	20 to 32
Average Current	A	1.7	0.85
Crest Factor		n/a	n/a
Frequency	KHz	n/a	n/a
Watts	W	20W	20W
Lumens	Lm	300	300
Weight	Kg	0.38	0.38
Temp' Range	°C	-30 to +40	-30 to +40

\* Dependant on conditions

E & OE