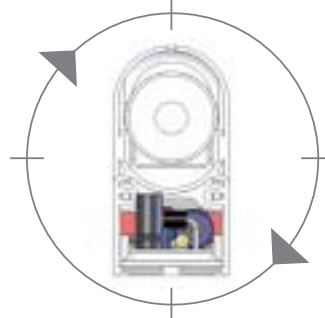


■ T8 BATTEN LIGHTS (BL)

- Low energy consumption
- Safety Extra Low Voltage (SELV)
- Unlimited switching*
- Tough construction

Internal View



Available from:

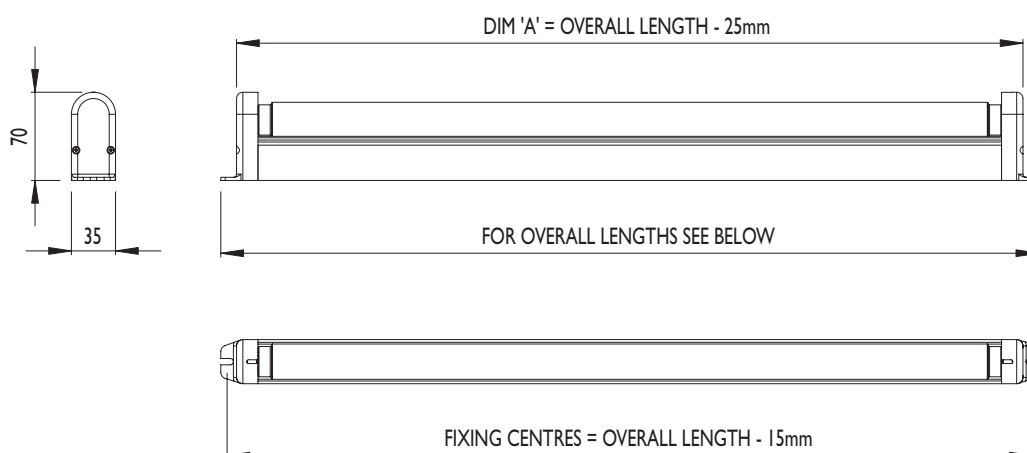
|| See technical specifications overleaf >>>

*Tests have shown over 1/4 million switchings can be achieved without causing tube failure

T8 BATTEN LIGHTS (BL)



The new Labcraft BATTEN LIGHT boasts extra light output and best ever performance and reliability. Our 'reflector' chassis is extruded from strong aluminium into a curved profile which captures normally wasted light, boosting output. Life expectancy has been substantially increased with the introduction of our 'XT' circuit, which allows over 1/4 million on/off cycles without causing tube failure. Efficiency, wave symmetry and crest factor are excellent. The new PC endcaps allow for the installation of an on/off rocker switch if required, and a clear lens is also available which clips onto the aluminium base. The inverter is mounted securely inside the chassis with a plastic carrier which also seals the back of the unit to protect it from dirt and damage. All metalwork is finished in white paint to give a corrosion proof finish.



OVERALL LENGTHS: BL18 = 649mm BL30 = 952mm

SPECIFICATION

ALL DIMENSIONS HAVE A TOLERANCE OF +/- 1mm

T8 BATTEN LIGHTS
(BL)

Model No		BL18	BL18/2	BL30	BL30/2
Supply Voltage	Vdc	12	24	12	24
Voltage Range	Vdc	10 to 15	20 to 32	10 to 15	20 to 32
Average Current	A	1.6	0.8	2.5	1.25
Crest Factor		1.7	1.6	1.7	1.6
Frequency	KHz	25		25	
Tube Watts	W	18W		30W	
Lumens	Lm	1100		2000	
Weight	Kg	0.57		0.8	
Temp. Range	°C	-10 to +40		-10 to +40	

E & OE