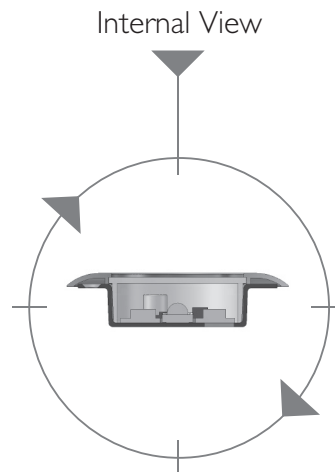


■ CALLISTO LED DOWNLIGHTER (LDI10)

- Super bright LEDs
- Stylish compact design
- Cool running
- Waterproof to IP67 option
- Multiple trim options



Available in Chrome, White, Brass and Black



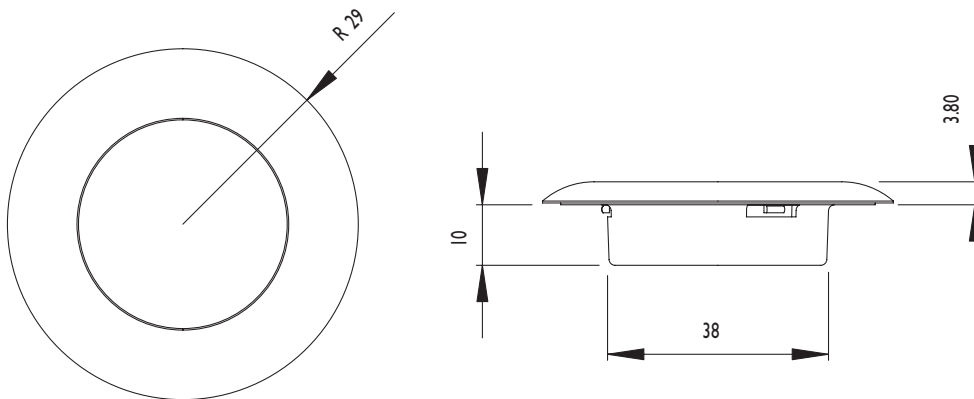
|| See technical specifications overleaf >>>

CALLISTO (LD10)



- The Callisto utilises the latest LED technology in a stylish compact housing to give a super bright light source offering a lighting solution for a multitude of applications.
- Traditional downlighters are installed into a variety of locations, many of which are within easy reach, and the majority are halogen options, which will reach temperatures in the region of 90°C. As LEDs are cool running, the Callisto provides a much safer lighting option without compromising on light output.
- The Callisto is fitted with a tough polycarbonate lens which protects the LED and diffuses the light effectively.
- Versions include:
 - Single high power LED (10-32V)
 - 3 x Ultra Bright low power LED (12V only)
 - 6 x Ultra bright low power LED (12V or 24V)
 - 6 x white LEDs switchable to 6 x blue LEDs (12V or 24V)
 - 6 x white LEDs switchable to 6 x red LEDs (12V or 24V)

Each option is available as an IP67 rated product or a non-weatherproof product. A range of coloured trims are available for each item in the Callisto range.



SPECIFICATION

ALL DIMENSIONS HAVE A TOLERANCE OF +/- 1mm

Model No	LD101	3 x LED LD102	6 x LED LD102
Voltage	Vdc 10V to 32V	12V	12V or 24V
Average Current	A 12V = 0.10 24V = 0.07	0.017	12V = 0.034 24V = 0.017
Illuminance	LUX 40	5.5	11
Total Lumen Output	Lm 74	24	48
LEDs	W 1.25W	0.2W	0.4W
Weight	Kg 0.03	0.03	0.03
Temp. Range	°C -30 to +40	-30 to +40	-30 to +40

CALLISTO (LD10)

E & OE