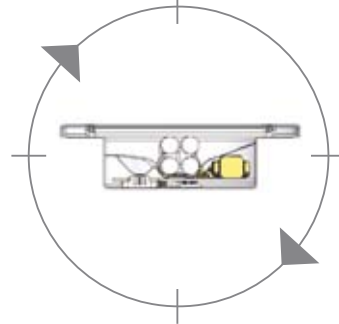


■ **FRIGOSPOT (HLC, HLCF, HLCLED)**

- Works effectively at -30°C
- Waterproof (IP66)
- Simple to retrofit
- Super bright LED option available

Internal View
(Fluorescent)



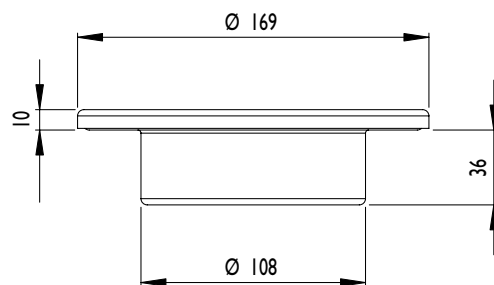
Available from:

|| See technical specifications overleaf >>>

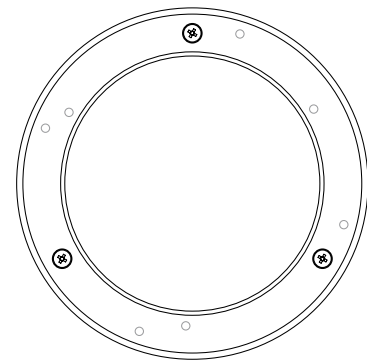
FRIGOSPOT (HLC, HLCF, HLCLED)



The FRIGOSPOT is designed to provide a high level of light in temperature controlled vehicles where traditional fluorescent lights do not perform due to low temperatures. The technology used combines the benefits of new Halogen lamp technology with a traditional fluorescent circuit controlled by a temperature sensor. At cold temperatures the Halogen lighting is used to give high initial light output whilst increasing the internal ambient temperature of the light unit to its optimum, before switching off leaving the fluorescent tube to deliver maximum light output and reducing power consumption by over 50%. The housing is manufactured from epoxy powder coated galvanised steel and can be permanently fixed into the vehicle bodywork. A rubber profile provides an IP66 seal between the housing and a tough Polycarbonate lens. A special version of the FRIGOSPOT is also available for applications where 220/24V 'tail-lift transformers' are used, as these often supply high voltage peaks. The new LED option is also available and is manufactured with 5 x 1.25W Power LEDs. With the energy efficient properties of LEDs, the HLCLED uses around 20% less power than the fluorescent options and will last around 10 times longer.



FIXING HOLES: 4x HOLES ON 151mm DIAMETER
3x HOLES ON 137mm DIAMETER



FRIGOSPOT
(HLC, HLCF, HLCLED)

SPECIFICATION

ALL DIMENSIONS HAVE A TOLERANCE OF +/- 1mm

Model No		HLC11	HLC11/2	HLCF11	HLCF11/2	HLCLED51/2
Supply Voltage	Vdc	12	24	12	24	24
Voltage Range	Vdc	10 to 15	20 to 32	10 to 15	20 to 32	20 to 32
Average Current	A	0.95	0.46	0.95/2.6	0.46/1.3	0.35
LUX @ 1 Metre	LUX	n/a	n/a	n/a	n/a	120
LEDs	W	n/a	n/a	n/a	n/a	5 x 1.25W = 6.25W
Frequency	KHz	20		20		n/a
Tube Watts	W	11W		11W		n/a
Lumens	Lm	890		890		n/a
Weight	Kg	0.54		0.54		0.46
Temp. Range	°C	-10 to +40		-30 to +40		-30 to +40