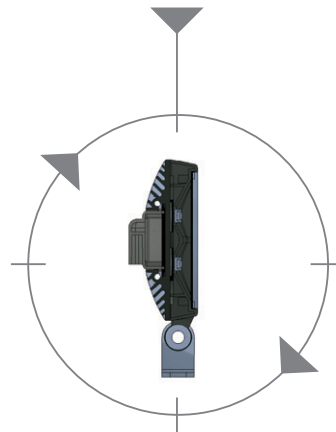


■ LED WORKLITE (SI4)

- High Output LED TrueWhite™
- Safe working environment (20Lux)
- 70% less energy than halogen
- No 'hotspots' or shadows
- 60,000 hours life

Internal View



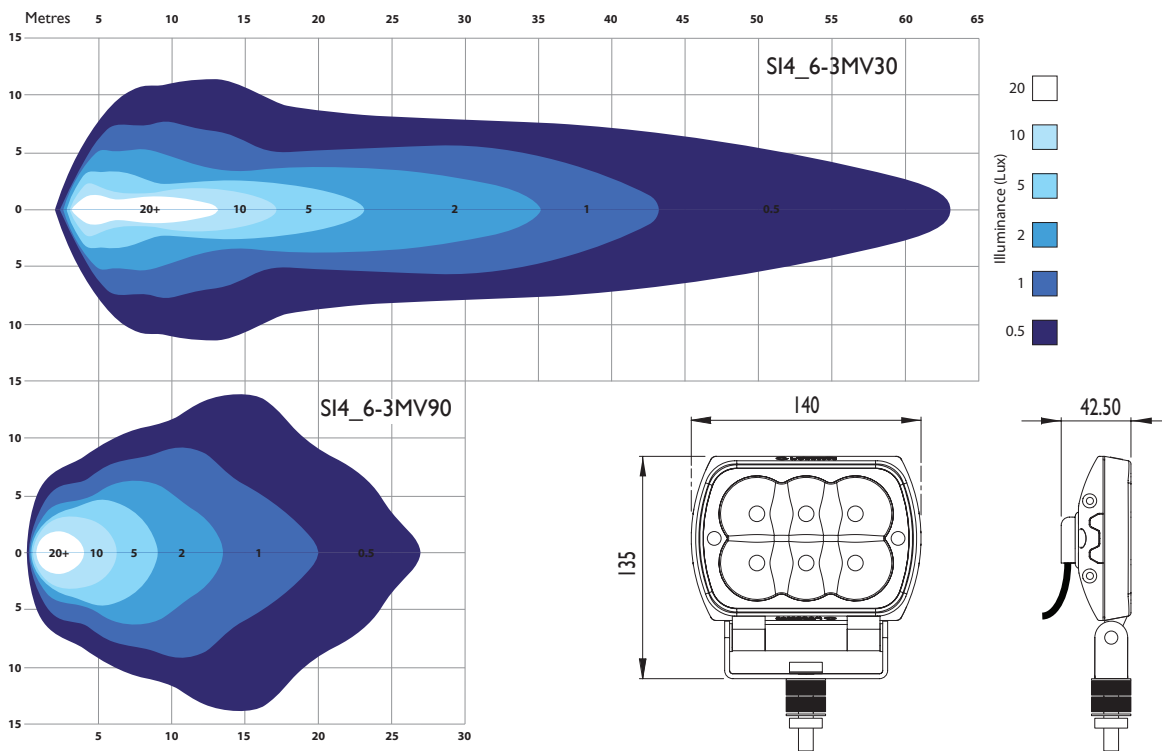
Available from:

|| See technical specifications overleaf >>>

LED WORKLITE (SI4)



- **LED TrueWhite™** creates a clear safe working environment. Possibly the only LED worklite to provide 20 Lux of pure white light - resulting in less fatigue and fewer accidents.
- **70% less energy than Halogen work lights** – 900 Lumens, only 13W.
- **Reduced ‘hotspots’ and lens shadows** – no secondary lens is required so fewer shadows are present - just pure white light. Two angles are available, 90° (flood) for close proximity work and 30° (trapezoid) for further distance.
- **60,000 hours LED life** – More than 60 times longer than halogen bulbs means you save money and improve safety.
- **IP67 rated** – Rugged weatherproof design suitable for tough working conditions.



SPECIFICATION

ALL DIMENSIONS HAVE A TOLERANCE OF +/- 1mm

LED WORKLITE (SI4)

Model No	SI4_6-3MV30	SI4_6-3MV90
Beam Angle	30 (trapezoid)	90 (flood)
Supply Voltage	Vdc	10 to 32
Average Current	A	1.1 @ 12V (0.55 @ 24V)
Total Lumen Output	Lm	900
Weight	Kg	1.75
Temp. Range	°C	-30 to +40
IP Rating	IP	67

E & OE