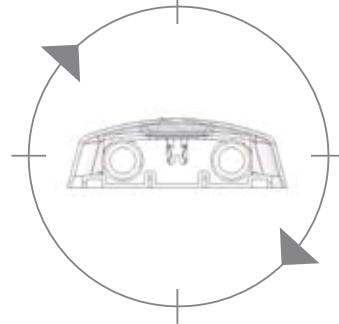


■ **LM SERIES**

- Integrated rocker switch
- Low energy consumption
- Available in two dimensions
- Attractive 'cracked ice' effect lens

Internal View



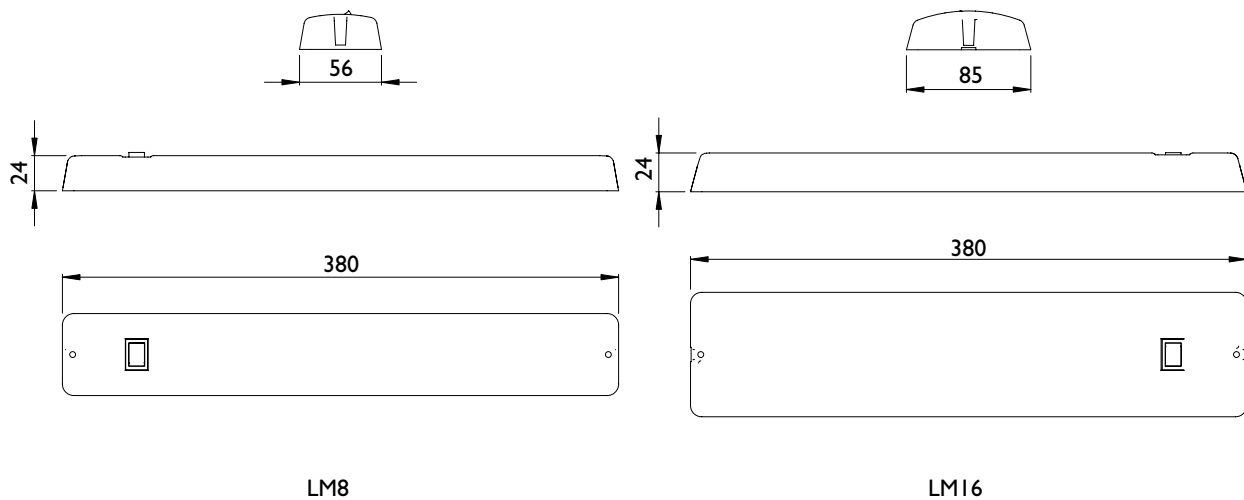
Available from:

|| See technical specifications overleaf >>>

LM SERIES



The LM is the latest addition to the Labcraft low profile T5 fluorescent lighting range. Available in single and twin 8w versions, this light will give you a bright source of light whilst consuming very little power (only 0.65A for the LM16). The LM8 measures only 56mm wide, so not only is it low profile but also benefits from minimum width, so these lights can now be installed into narrow spaces where previously lights may not have been able to fit. The lens is extruded from durable polycarbonate plastic, also with an integrated recessed switch, and the new attractive cracked ice effect lens helps to diffuse the light evenly.



SPECIFICATION

ALL DIMENSIONS HAVE A TOLERANCE OF +/- 1mm

LM SERIES

Model No		LM8	LM16
Supply Voltage	Vdc	12	12
Voltage Range	Vdc	10 to 15	10 to 15
Average Current	A	0.7	0.65
Crest Factor		1.6	1.6
Frequency	KHz	22	30
Tube Watts	W	8W	16W
Lumens	Lm	400	800
Weight	Kg	0.22	0.38
Temp' Range	°C	-10 to +40	-10 to +40

E & OE