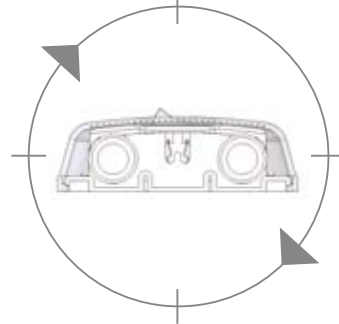


■ **LINEAR SERIES (DX)**

- Very low profile (24mm)
- Tough polycarbonate lens
- Low energy (0.45A @ 12V)
- Single or twin 8W tubes

Internal View



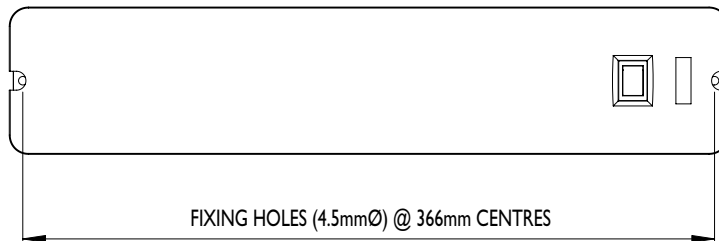
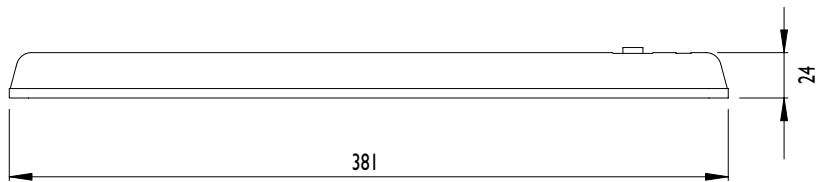
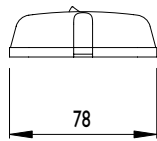
Available from:

|| See technical specifications overleaf >>>

## LINEAR SERIES (DX)



The LINEAR is the very latest in T5 fluorescent lights, designed to enhance a variety of interiors. Using a high efficiency inverter, the LINEAR produces very high levels of light for the power consumed - a great advantage where a mains transformed supply is not available. The shade has been designed for functionality and appearance. The internal ribbed pattern gives a modern look while helping to diffuse light and reduce glare. A recess at each end allows installation without lens removal, and the clip-on design means that the tubes can be replaced without removing or dismantling the light. The switch is recessed into the lens to minimise height and enhance the shade design. Mouldings are injected from a durable polycarbonate plastic which, if disposed of properly, can be recycled. The LINEAR is available in single and twin 8W versions and is designed for operation from a smoothed 12V DC supply, with 24V and 48V versions also available.



LINEAR SERIES (DX)

### SPECIFICATION

ALL DIMENSIONS HAVE A TOLERANCE OF +/- 1mm

Model No		DX8	DX16	DX16/3
Supply Voltage	Vdc	12	12	48
Voltage Range	Vdc	10 to 15	10 to 15	40 to 60
Average Current	A	0.45	0.67	0.22
Crest Factor		1.6	1.6	1.6
Frequency	KHz	40	31	25
Tube Watts	W	8W	16W	16W
Lumens	Lm	350	600	600
Weight	Kg	0.28	0.31	0.34
Temp. Range	°C	-10 to +40	-10 to +40	-10 to +40

E & OE