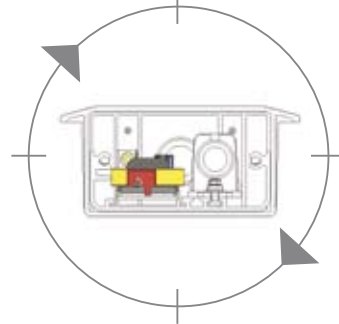


■ **POLARIS SERIES (HL)**

- High light output
- Waterproof to IP66
- Reduces battery drain
- Ultra long life

Internal View

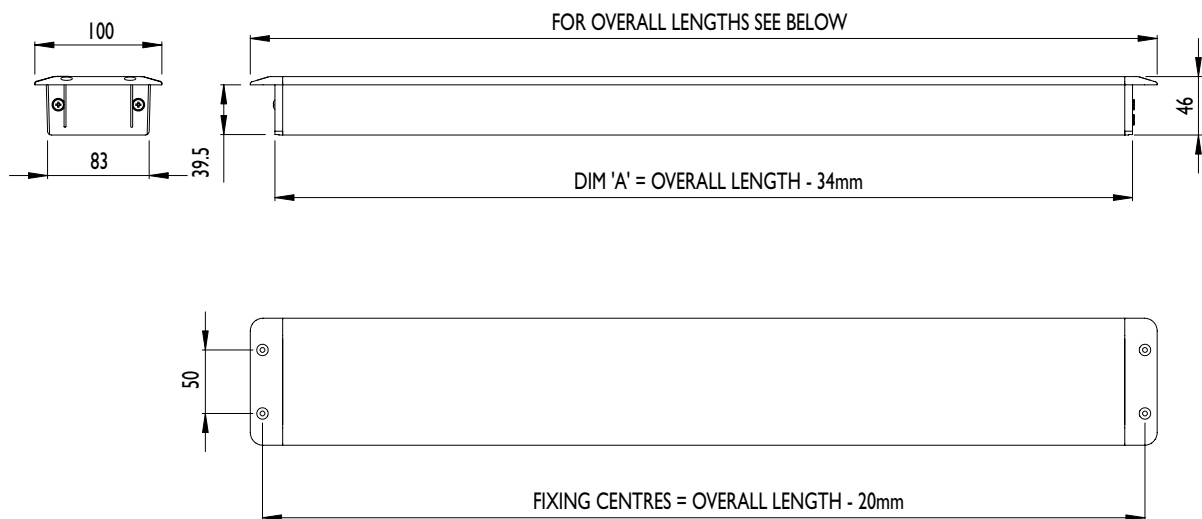


Available from:

|| See technical specifications overleaf >>>

## POLARIS SERIES (HL)

This model has evolved from the outstanding properties of the polycarbonate housing used in the 'Frigo light'. It was soon recognised that a waterproof unit that was virtually unbreakable could be used in many applications within the Industrial, and Commercial Vehicle sectors. These applications include step lighting, locker illumination, chilled vehicles and roof mounting in vehicles that require regular cleaning or are subject to damp conditions, such as fire tenders or marine craft. As the enclosure is sealed, electrical connections are provided on the outside of one endcap. Fixing is simple with two screws at each end.



OVERALL LENGTHS: HLI1XT = 376mm HLI8 = 715mm

POLARIS (HL)

### SPECIFICATION

ALL DIMENSIONS HAVE A TOLERANCE OF +/- 1mm

| Model No        |     | HLI1XT     | HLI1/2XT | HLI8       | HLI8/2   |
|-----------------|-----|------------|----------|------------|----------|
| Supply Voltage  | Vdc | 12         | 24       | 12         | 24       |
| Voltage Range   | Vdc | 10 to 15   | 20 to 32 | 10 to 15   | 20 to 32 |
| Average Current | A   | 1.0        | 0.5      | 1.2        | 0.6      |
| Frequency       | KHz | 20         |          | 20         |          |
| Tube Watts      | W   | 11W        |          | 14W        |          |
| Lumens          | Lm  | 890        |          | 1350       |          |
| Weight          | Kg  | 0.66       |          | 1.32       |          |
| Temp. Range     | °C  | -10 to +40 |          | -10 to +40 |          |

E & OE