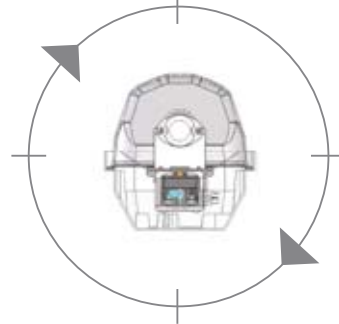


■ **STREET LIGHTS (SEC)**

- Weatherproof IP65
- High efficiency
- Robust GRP Housing
- Available in Low Pressure Sodium and Compact Fluorescent

Internal View



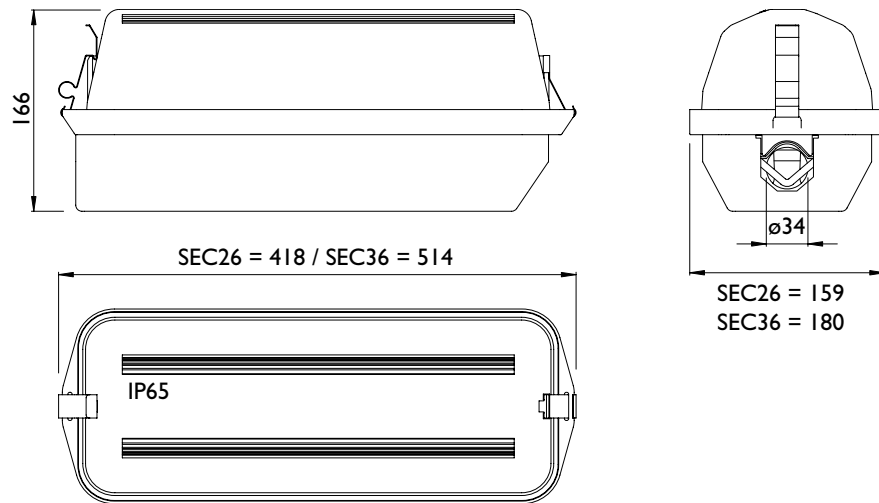
Available from:

|| See technical specifications overleaf >>>

STREET LIGHTS (SEC)



The STREET LIGHTS have been designed for use with PV technology to provide self sufficient night illumination. They can be used for lighting village centres, hazards such as bridges or crossroads or other busy open areas. As high light output is usually more critical over colour renderance for these applications, the most popular bulbs are Low Pressure Sodium (SOX). For applications where a cleaner whiter light is required the 18W Compact Fluorescent has been designed, giving you over 1100 lumens of light output. The robust GRP housing is sealed to IP65 by a Neoprene gasket with a vandal resistant lens which hinges open for easy maintenance. As life expectancy and maintenance time are important for these applications, our inverters are developed with a crest factor below 1.7 and the SOX-E inverters carry a 20,000 hour warranty. The SOX-E Sodium Inverter is also available as a separate item, S126, in both 12v and 24v, and will operate SOX-E bulbs of 18W, 26W and 36W.



SPECIFICATION

ALL DIMENSIONS HAVE A TOLERANCE OF +/- 1mm

STREET LIGHTS (SEC)

Model No	SECFL18		SECFL18/2		SEC26		SEC26/2		SEC36		SEC36/2	
	SOX-E 18	SOX-E 26	SOX-E 18	SOX-E 26	SOX-E 18	SOX-E 26	SOX-E 18	SOX-E 26	SOX-E 36	SOX-E 36	SOX-E 36	SOX-E 36
Supply Voltage	Vdc	12	24	12	12	24	24	12	24	12	24	24
Voltage Range	Vdc	10 to 15	20 to 32	10 to 15	10 to 15	20 to 30	20 to 32	10 to 15	20 to 32	10 to 15	20 to 32	20 to 32
Average Current	A	1.6	0.8	1.8	2.5	0.9	1.25	3.4	1.7	1.6	1.6	1.6
Crest Factor		1.6	1.6	1.6	1.6	1.6	1.6	1.6	1.6	1.6	1.6	1.6
Frequency	KHz	25	25	>18	>18	>18	>18	>18	>18	>18	>18	>18
Tube/Bulb Watts	W	18W		18W*	26W*	18W*	26W*	36W*		36W*		36W*
Lumens	Lm	1100		1800	4060	1800	4060	6400		6400		6400
Weight	Kg	1.82		2.06				2.42		2.42		2.42
Temp' Range	°C	-10 to +40		-10 to +40				-10 to +40		-10 to +40		-10 to +40

* FIGURES BASED ON G.E. BULBS

E & OE