

LED LINEAR/TRILITE



Choice of 3 lighting options up to 960 lumens; over 285 lux @ 1 metre



Brighter than the Fluorescent equivalent & lower power consumption



Quick to install - fits into existing DX/KL fixings



Long life Cree LEDs; no replacement costs



Low profile design & integrated switch



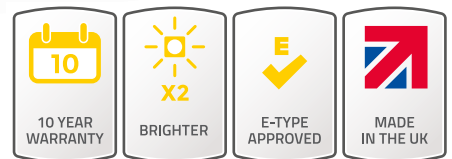
DXLED
(LINEAR)

KLED
(TRILITE)

TECHNICAL SPECS OVERLEAF 
JUNE 2016

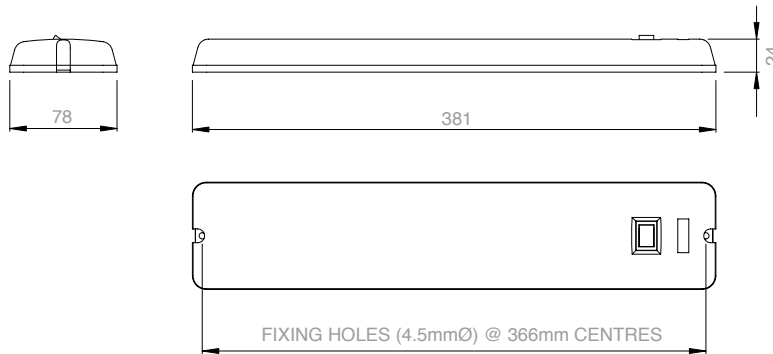


DESIGNED FOR MULTI-SECTOR APPLICATIONS



LED LINEAR/TRILITE

- Choice of 3 lighting options** - available with 1, 2 or 3 LED strips offering up to 960 lumens per unit.
- Brighter than the Fluorescent equivalent & lower power consumption** - the single LED strip version is brighter than the twin fluorescent unit and takes only half the power.
- Quick to install** - the fixing holes on the LED DX & KL are exactly the same as the fluorescent version providing a quick and easy LED upgrade option.
- Long life Cree LEDs** - by using high output Cree LED technology, the DXLED and KLED offers optimum performance and extended life, thereby eliminating tube replacement costs.
- Low profile design & integrated switch** - at only 24mm deep this light can be fitted in a multitude of applications and the integrated switch makes installation much quicker and easier, saving time and money.



SPECIFICATION		ALL DIMENSIONS HAVE A TOLERANCE OF +/-1mm			
	12VDC	DX/KLLED_12 (12 LED - 12V)	DX/KLLED_24 (24 LED - 12V)	DX/KLLED_36 (36 LED - 12V)	
Voltage Range	VDC	10-14	10-14	10-14	
Average Current	A	0.25	0.44	0.75	
Light Output	lm	320	640	960	
Watts	W	3W	6W	9W	
Weight	kg	0.18	0.20	0.22	
Temp. Range	°C	-30 to +40	-30 to +40	-30 to +40	
IP Rating (switched*)	IP	IP50	IP50	IP50	
	24VDC	DX/KLLED_12/2 (12 LED - 24V)	DX/KLLED_24/2 (24 LED - 24V)	DX/KLLED_36/2 (36 LED - 24V)	
Voltage Range	VDC	20-28	20-28	20-28	
Average Current	A	0.13	0.22	0.38	
Light Output	lm	320	640	960	
Watts	W	3W	6W	9W	
Weight	kg	0.18	0.20	0.22	
Temp. Range	°C	-30 to +40	-30 to +40	-30 to +40	
IP Rating	IP	IP50	IP50	IP50	

E & OE

