

ASTRO PIR



Automatically turns lights on when movement is detected



5 minute PIR sensor/switch



Choice of lighting levels up to 1280 lumens; over 400 lux @ 1 metre



Quick to install; compact design



Waterproof to IP66



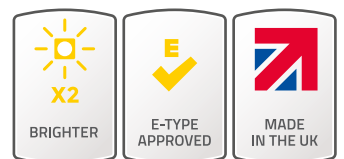
E-type approved



TECHNICAL SPECS OVERLEAF 
JANUARY 2017



DESIGNED FOR MULTI-SECTOR APPLICATIONS

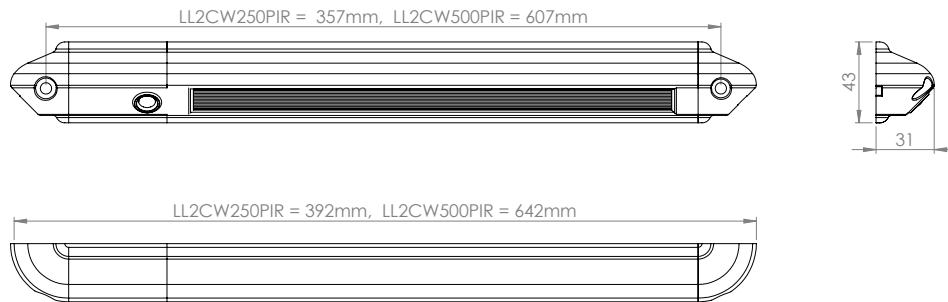


ASTRO PIR

Built in PIR sensor/switch - The electronics used within the PIR sensor/switch have been designed to detect the movement of body heat to activate the sensor. Once the sensor has been triggered, the unit will switch on for the specified time before automatically switching off, preventing any unnecessary load, thereby extending battery life. If continuous movement is detected then the lights in the vehicle will remain on. This not only saves on battery power but there are also cost savings to be made on installation as a separate switching device is not required.

Long life, high intensity Cree LEDs - The Astro incorporates the Orizon LED strip light which uses the latest in Cree LED technology, offering optimum performance and extended life. This unit is available with 12, 24 and 48 LEDs, offering a choice of light output and lengths to suit a wide variety of applications and budgets.

Quick to install; compact design - The LED strip sits within a slim, robust aluminium housing, and the tough polycarbonate LED extrusion and PIR sensor lens creates an IP66 rated unit suitable for all internal applications, including chilled and refrigerated vehicles. The PIR sensor/switch has been designed to sit neatly within the upgraded ABS endcap which allows for quick and easy installation.



SPECIFICATION		ALL DIMENSIONS HAVE A TOLERANCE OF +/-1mm			
	12VDC	LL2CW250PIR (12 LED - 12V)	LL2CW250-24PIR (24 LED - 12V)	LL2CW500PIR (24 LED - 12V)	LL2CW500-48PIR (48 LED - 12V)
Voltage Range	VDC	10-14	10-14	10-14	10-14
Average Current	A	0.24	0.44	0.44	1.00
Light Output	lm	320	640	640	1280
Watts	W	3W	6W	6W	12W
Weight	kg	0.44	0.44	0.44	0.49
Temp. Range	°C	-30 to +40	-30 to +40	-30 to +40	-30 to +40
IP Rating	IP	IP66	IP66	IP66	IP66
	24VDC	LL2CW250/2PIR (12 LED - 24V)	LL2CW250-24/2PIR (24 LED - 24V)	LL2CW500/2PIR (24 LED - 24V)	LL2CW500-48/2PIR (48 LED - 24V)
Voltage Range	VDC	20-28	20-28	20-28	20-28
Average Current	A	0.12	0.22	0.22	0.5
Light Output	lm	320	640	640	1280
Watts	W	3W	6W	6W	12W
Weight	kg	0.23	0.44	0.44	0.49
Temp. Range	°C	-30 to +40	-30 to +40	-30 to +40	-30 to +40
IP Rating	IP	IP66	IP66	IP66	IP66

E & OE | Calculations based on average LED values @ 13.2V (for 12V models) and @ 26V (for 24V)

